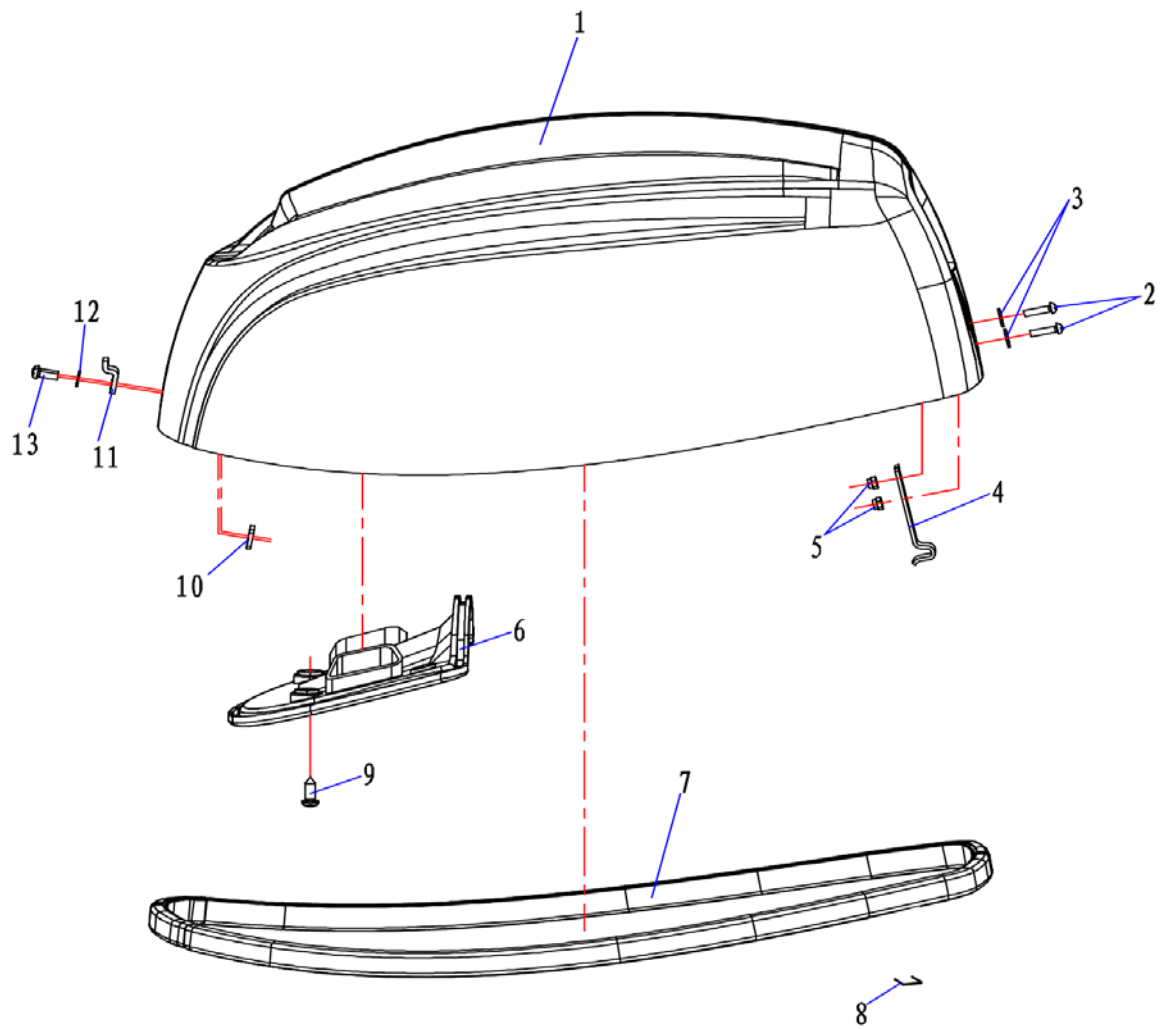
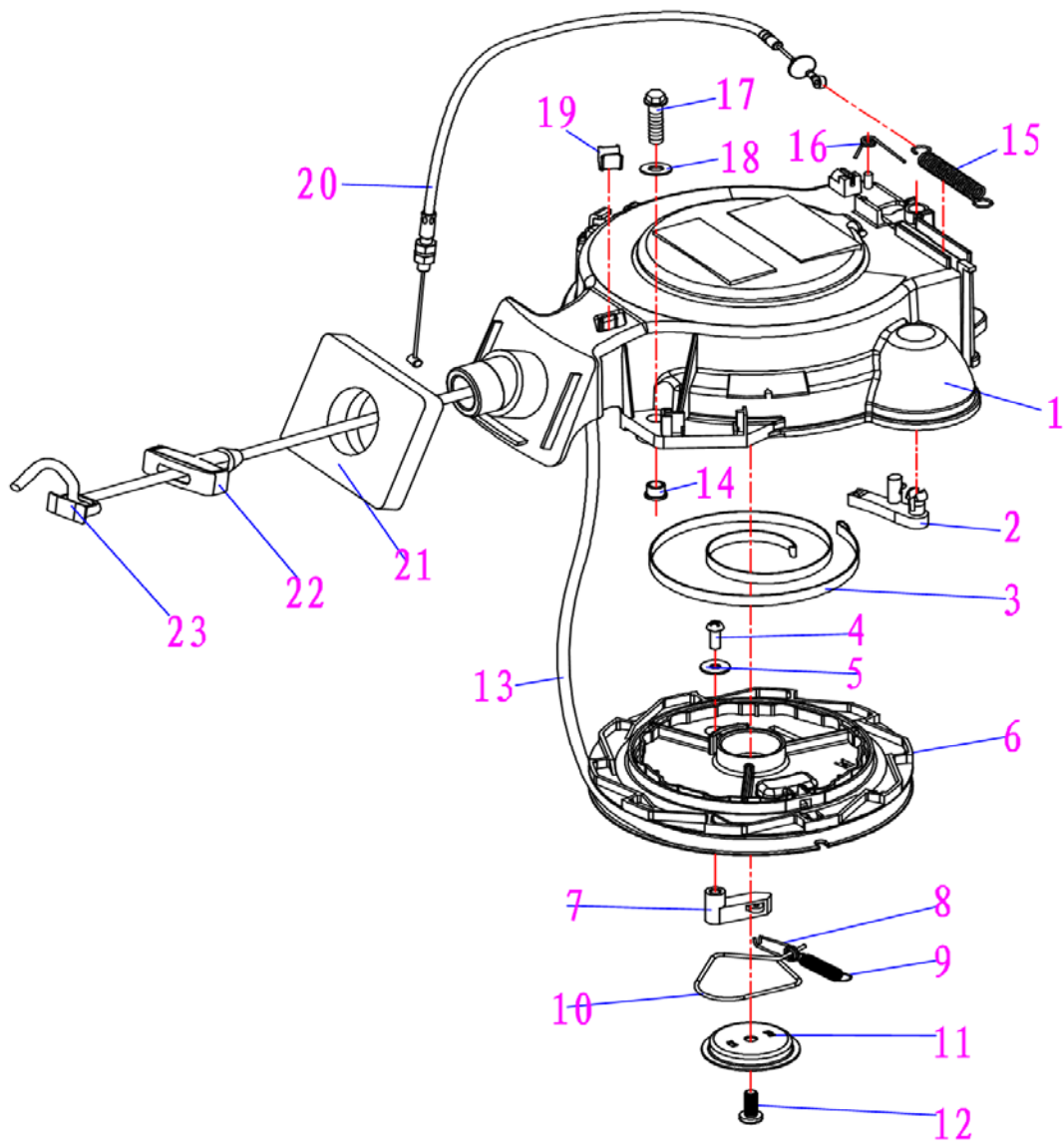


Мотор лодочный Marine Rocket MRF9.9LH (212 см<sup>3</sup>)



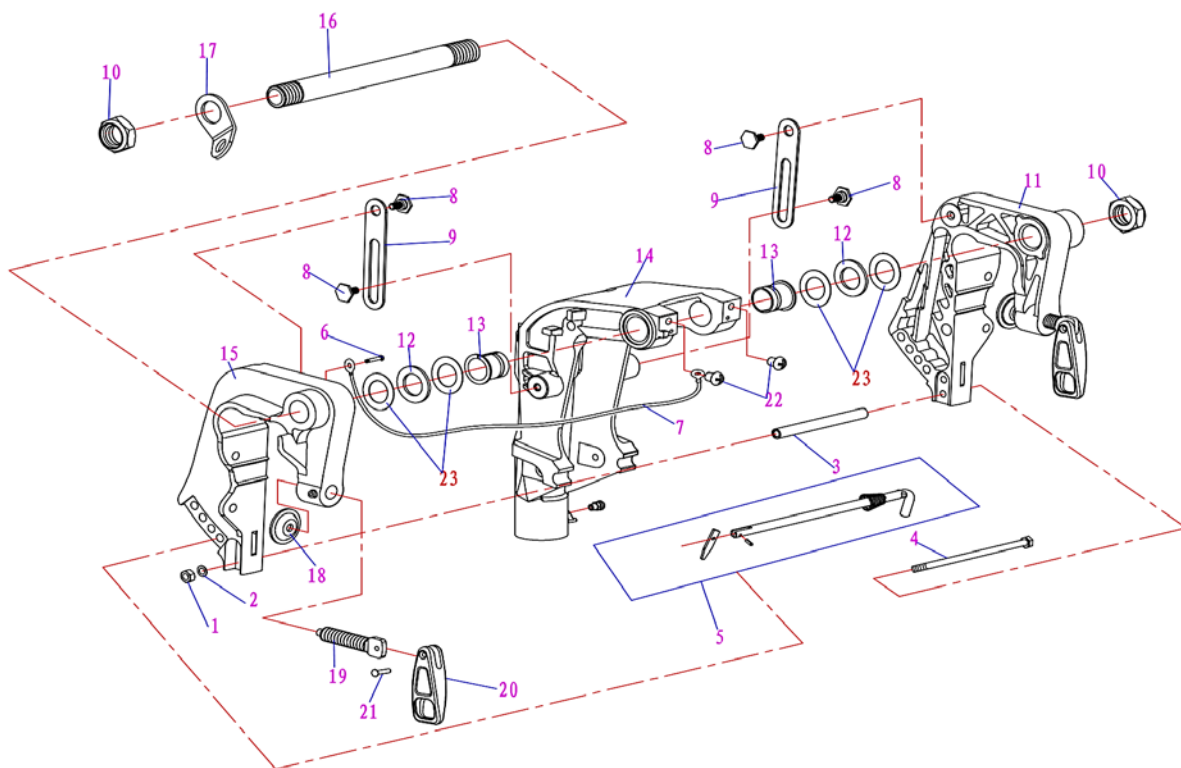
## 1. Капот

NO.	КОД MR	КОД OEM	НАИМЕНОВАНИЕ	ШТ	УПАКОВКА	YAMAHA
1	MR01070523	F9.9-07.00.00.01	Top cowling	1	1	
2	MR01040748BAG	GB/T818	Pan head bolt with cross recess	2	10	
3	MR0104162BAG	GB/T96	Flat gasket 4	2	10	
4	MR2080507001	15F-07.08.10	Front lock hook	1	1	
5	MR0104144BAG	DIN985	Bolt	2	10	
6	MR01070524	F9.9-07.00.00.02	air inlet cap	1	1	
7	MR01060502	F9.9-07.00.00.03	rubber seal ring	1	1	
8	MRBAG	15F-07.07	bingding nail	20		
9	MR0104093BAG	GB/T845	bolt	3	10	
10	MR01082010BAG	2.5F-02.00.00.10	Plate	1	2	
11	MR01080709	F6-07.00.00.04	Rear lock hook	1	1	
12	MR0104169BAG	GB/T97.1	Flat gasket	2	10	
13	MR0104073BAG	GB/T818	Screw M4*12	2	10	
	MR030223	F9.9-07.00.00.00	Top Cowling Assy	1	1	



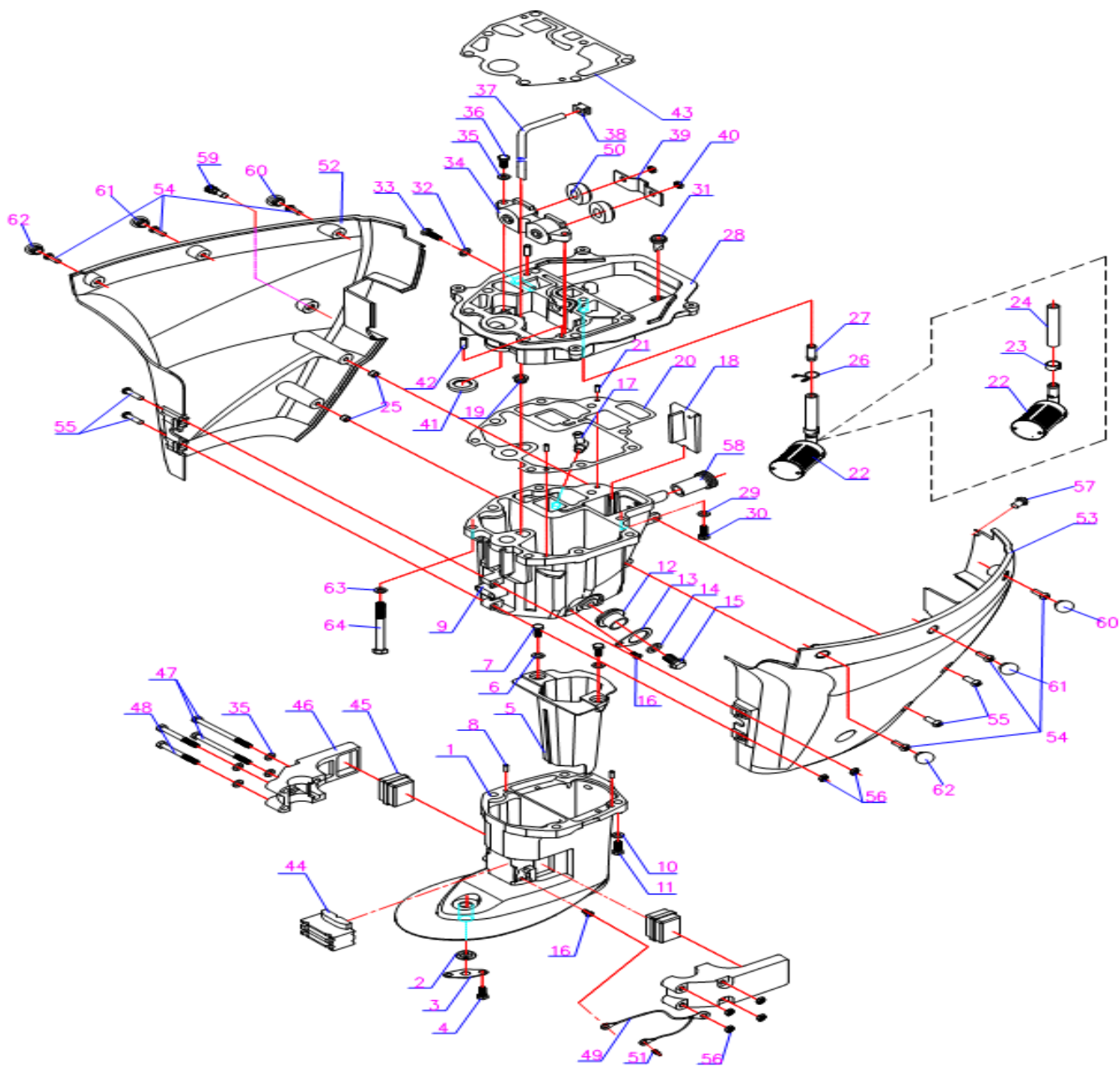
## 2. Ручной стартер

NO.	КОД MR	КОД OEM	НАИМЕНОВАНИЕ	ШТ	УПАКОВКА	YAMAHA
1	MR01070508	F9.9-01.07.00.02	Casing, Starter cover assy.	1	1	68T-15711-03-00
2	MR01070211	F15-01.07.00.02	Brake	1	1	68T-15794-00-00
3	MR01090101	15F-01.01.11	Volute spring	1	1	63V-15713-00-00
4	MR0104078BAG	GB/T818	Pan head bolt with cross recess	1	10	
5	MR0104163BAG	GB/T96	Flat gasket	1	10	
6	MR01070105	15F-01.01.05	Start wheel	1	1	63V-15714-00-00
7	MR010718038BAG	F25-01.01.00.02	Drive arm	1	2	63V-15741-00-00
8	MR01090104BAG	15F-01.01.18	Spring, drive arm	1	2	68T-15784-00-00
9	MR01090103BAG	15F-01.01.17	Return spring	1	2	63V-15767-01-00
10	MR01090105BAG	15F-01.01.20	Clip spring	1	2	63V-15705-01-00
11	MR01080103	15F-01.01.19	Starter plate	1	1	68T-15716-00-00
12	MR0104132BAG	GB/T67	screw M6*16	1	10	97095-06025-00
13	MR01100103	15F-01.01.22	starter rope	1	1	
14	MR01020404BAG	F2.5-01.06.00.05	Cushing tube B	3	2	
15	MR01090206BAG	F15-01.07.00.05	Spring	1	2	66T-15731-00-00
16	MR01090205BAG	F15-01.07.00.03	Torsional spring, brake	1	2	66T-15734-00-00
17	MR0104012BAG	GB/T5783	Hex Bolt M6*20	3	10	97095-06012-00
18	MR0104171BAG	GB/T97.1	Flat gasket	3	10	90201-13201-00
19	MR01080511	F9.9-01.07.00.06	U-type sliding bush	1	1	
20	MR01100505	F9.9-01.07.00.07	throttle cable	1	1	
21	MR01060521	F9.9-01.07.00.03	damper cushion	1	1	68T-15762-00-00
22	MR01060103	15F-01.01.08	Starter handle	1	1	6G1-15755-00-00
23	MR01070110BAG	15F-01.01.10	Cover, Starter handle	1	2	6G1-15779-00-00
	MR030105	F9.9-01.07.00.00	Recoil Starter Assy	1	1	



### 3. Кронштейн струбцин

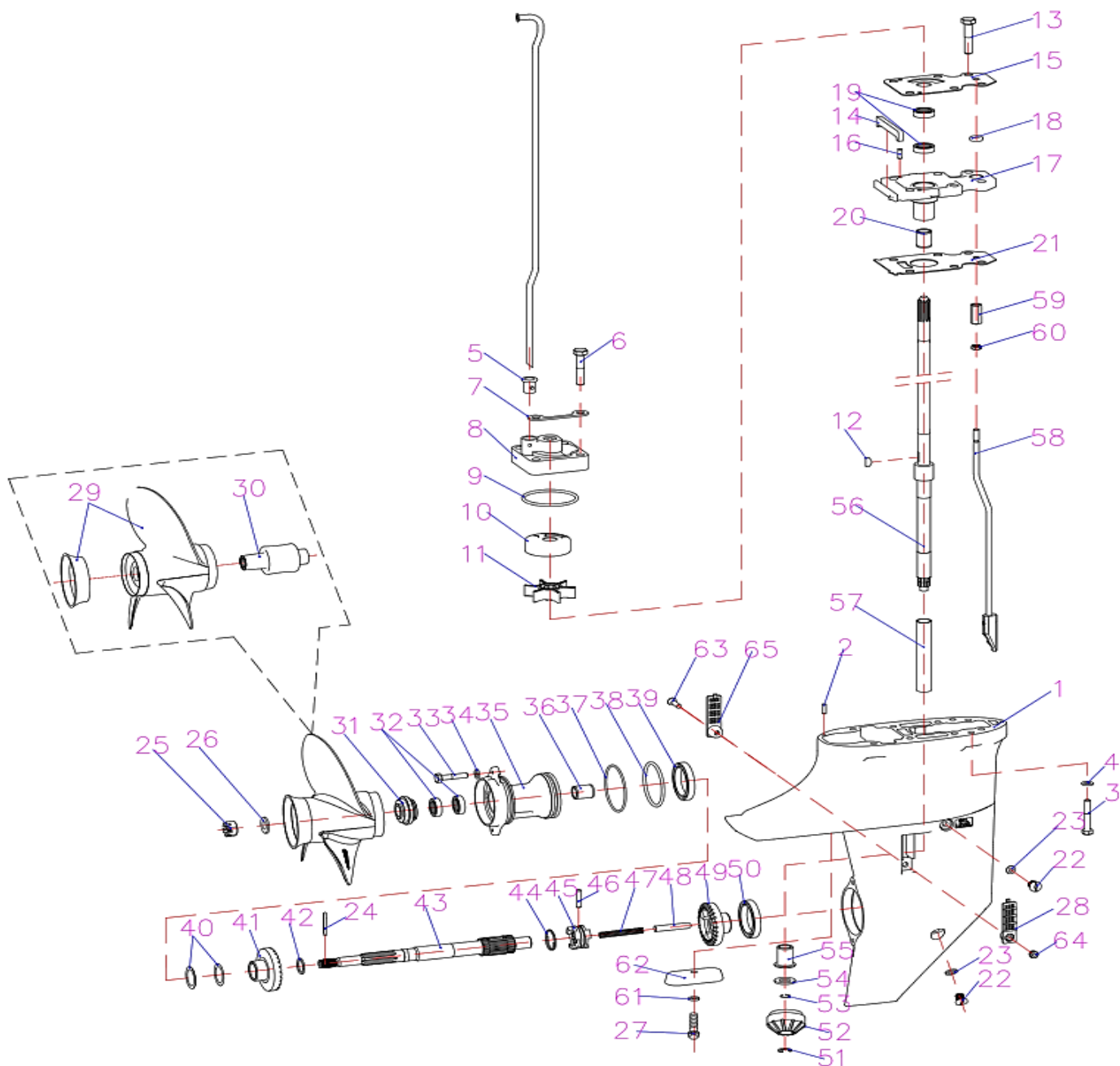
NO.	КОД MR	КОД OEM	НАИМЕНОВАНИЕ	ШТ	УПАКОВКА	YAMAHA
1	MR0104138BAG	GB/T6170	Hex Nut M6	1	10	95380-06700-00
2	MR0104158BAG	GB/848	Flat pad 6	1	10	92995-06600-00
3	MR01020123	15F-03.11	Sleeve	1	1	90387-06M13-00
4	MR0104029BAG	GB5782 M6*145(A2-70)	Bolt	1	5	
5	MR01090147	15F-03.10.00-II	Trim rod	1	1	
6	MR0104082BAG	GB/T818	Screw M6*8	1	10	
7	MR01100107	15F-03.05.03	Conductive wire	1	1	
8	MR01020118BAG	15F-03.06	Bolt	4	2	90109-06M84-00
9	MR01080119	15F-03.07	brake pad	2	1	6AH-43627-00-00
10	MR01020115	15F-03.01	Clamp nut	2	1	90185-22043-00
11	MR090701010131	15F-03.08.01	Bracket(RH)	1	1	6AH-43111-00-4D
12	MR01070139BAG	15F-03.02	Nylon gasket	2	2	
13	MR01070141BAG	15F-03.09.02	Damping ring,bracket	2	2	90386-22MA4-00
14	MR01010501	F9.9-03.00.00.01	Swivel bracket	1	1	
15	MR090701010130	15F-03.05.01	Bracket(left)	1	1	6AH-43112-00-4D
16	MR01020214	F15-03.00.00.01	Bolt	1	1	63W-43131-01-00
17	MR01080117	15F-03.03	Orifice plate	1	1	66R-43113-00-00
18	MR01080118BAG	15F-03.05.02.03	Clamp plate	2	2	648-43114-01-00
19	MR01020527	F9.9-II-03.00.00.02	Clamp Bolt, Transom	2	1	6E7-43116-00-00
20	MR01011122	40F-03.05.03.02	intensify handle	2	1	6E0-43118-01-00
21	MR0104222BAG	GB/T1015	Bolt	2	10	90243-04M01-00
22	MR0104087BAG	GB/T818	Cross recessed countersunk head screw	2	10	
23	MR01081114BAG	40F-03.03	Washer	4	2	



#### 4. Дейдвуд

NO.	КОД ОЕМ	КОД ОЕМ	НАИМЕНОВАНИЕ	ШТ	УПАКОВКА	YAMAHA
1	MR092401010521	F9.9-05.00.00.17-S	Upper casing(S)	1	1	6AU-45111-00-4D
	MR0924010105210	F9.9-05.00.00.17-L	Upper casing(L)	1	1	
2	MR01060534BAG	F9.9-05.00.00.19	Rubber washer	1	2	90480-14M54-00
3	MR01080514BAG	F9.9-05.00.00.20	Rubber plate	1	5	68T-45321-00-00
4	MR0104006BAG	GB/T5783	Bolt	1	10	97095-06008-00
5	MR01010522	F9.9-05.00.00.18	Exhaust pipe	1	1	6AU-14711-00-CA
6	MR0104158BAG	GB848 M6	Flat pad 6	2	10	92995-06600-00
7	MR0104010BAG	GB/T5783	hex bolt	2	10	97575-06514-00
8	MR01020129BAG	15F-06.03.08	Cotter Pin 4*12(short shaft)	2	10	93604-12M07-00
9	MR01010520	F9.9-05.00.00.09	Oil sump	1	1	68T-15311-01-CA
10	MR0104159BAG	GB/T848	Flat Pad 8	4	10	
11	MR0104038BAG	GB/T5783	Bolt	4	5	97575-08535-00
12	MR01060533BAG	F9.9-05.00.00.13	rubber Washer	1	2	
13	MR01080502BAG	F9.9-05.00.00.14	Press plate	1	2	
14	MR01020504BAG	F9.9-05.00.00.16	Aluminum washer	1	10	90430-10M11-00
15	MR01020517	F9.9-05.00.00.15	Oil drain plug	1	1	90340-10M10-00
16	MR0104076BAG	GB/T818	Pan head screw with cross recess	2	10	
17	MR01020513	F9.9-05.00.00.11	Joint,water hose	1	1	6H1-11372-00-00
18	MR01060532	F9.9-05.00.00.12	Exhaust baffle	1	1	68T-45181-00-00
19	MR01060531BAG	F9.9-05.00.00.10	Fixer,hose	1	2	90480-10M28-00
20	MR01050527	F9.9-05.00.00.07	Engine base gasket(lower)	1	1	68T-13475-00-00
21	MR01020129BAG	15F-06.03.08	Cotter Pin 4*12(short shaft)	2	10	93604-12M07-00
22	MR01070519	F9.9-01.05.03.00	oil filter Comp.	1	1	
23	MR01080211BAG	F15-01.05.03.01	Clip	1	2	
24	MR01060520BAG	F9.9-01.05.03.01	Oil hose	1	5	
25	MR01020503BAG	F9.9-05.00.00.24	cushion tube	2	2	

26	MR01090140BAG	HDF9.9-01.05.03.02	Clamp	1	10	90467-11M08-00
27	MR01020219BAG	F15-01.01.02.02	Oil inlet	1	2	
28	MR01010519	F9.9-05.00.00.01	Engine base	1	1	68T-41137-00-CA
29	MR0104159BAG	GB/T848	Flat Pad 8	2	10	
30	MR0104037BAG	GB/T5783	Bolt	2	2	
31	MR01060529BAG	F9.9-02.00.00.12	Water nozzle	1	2	65W-42717-00-00
32	MR01080401BAG	F2.5-01.01.00.04	Copper washer	1	2	90430-08020-00
33	MR0104034BAG	GB/T5783	Bolt	1	10	97095-08014-00
34	MR01060530	F9.9-05.01.00.00	Mount Damper(upper) comp.	1	1	68T-44517-00-00
35	MR0104158BAG	GB/T848	Flat pad 6	10	10	92995-06600-00
36	MR0104374BAG	GB/T5783	Hex Head Bolt M6*25	2	10	
37	MR01100501	F9.9-05.00.00.08-S	Hose	1	1	68T-44361-00-00
	MR011005010	F9.9-05.00.00.08-L	Hose		1	
38	MR01060129BAG	15F-05.06	Rubber ring,water hose	1	2	63V-44365-10-00
39	MR01080507	F9.9-05.00.00.02	Damper plate	1	1	68T-44526-00-00
40	MR0104139BAG	GB/T6170	Bolt nut	2	10	95380-08600-00
41	MR01050528	F9.9-06.01.00.03	Oil seal,drive shaft	1	1	93101-11M23-00
42	MR01020509BAG	F9.9-05.00.00.05	Locating pin 6*19	2	2	93606-19M23-00
43	MR01050526	F9.9-05.00.00.06	Upper engine gasket	1	1	68T-11351-00-00
44	MR01060505	F9.9-00.00.00.02	Damper B	1	1	6AU-44557-00-00
45	MR01060101	15F-00.02	Cushion blocking A	2	1	682-44555-30-00
46	MR092401010502	F9.9-00.00.00.01	Damper housing	2	1	6AU-44551-00-4D
47	MR01044123BAG	GB9074.1 M6*85(A2-70)	hexagon headed bolt and flat plate Assy.M6*85	2	10	
48	MR0104411BAG	GB9074.1 M6*55(A2-70)	Flat gasket&bolts	2	10	
49	MR01100507	F9.9-05.00.00.21	Cable connector	1	1	97575-08535-00
50	MR01060148BAG	15F-00.10	damper Sleeve	2	2	
51	MR01100109BAG	JB/T7940.1	Oil cup	1	2	
52	MR092401070513	F9.9-05.00.00.23	Decoration cover (RH)	1	1	
53	MR092401070512	F9.9-05.00.00.22	Decoration cover (LH)	1	1	
54	MR0104084BAG	GB/T818	Screw	6	10	
55	MR0104128BAG	GB/T818	Screw M6*25	4	10	
56	MR0104138BAG	GB/T6170	Hex Nut M6	6	10	95380-06700-00
57	MR0104087BAG	GB/T818	Cross recessed countersunk head screw	1	10	
58	MR01060506BAG	F9.9-00.00.00.03	Damper,Idle exhaust	1	2	
59	MR01070137BAG	15F-02.11	Plastic Water nozzle	1	5	
60	MR01060206BAG	F15-00.00.00.20	plug (right)	2	2	
61	MR01060205BAG	F15-00.00.00.19	plug (middle)	2	2	
62	MR01060204BAG	F15-00.00.00.18	plug (left)	2	2	
63	MR0104159BAG	GB/T848	Flat Pad 8	6	10	
64	MR0104044BAG	GB/T5783	Hexagonal bolt	6	5	



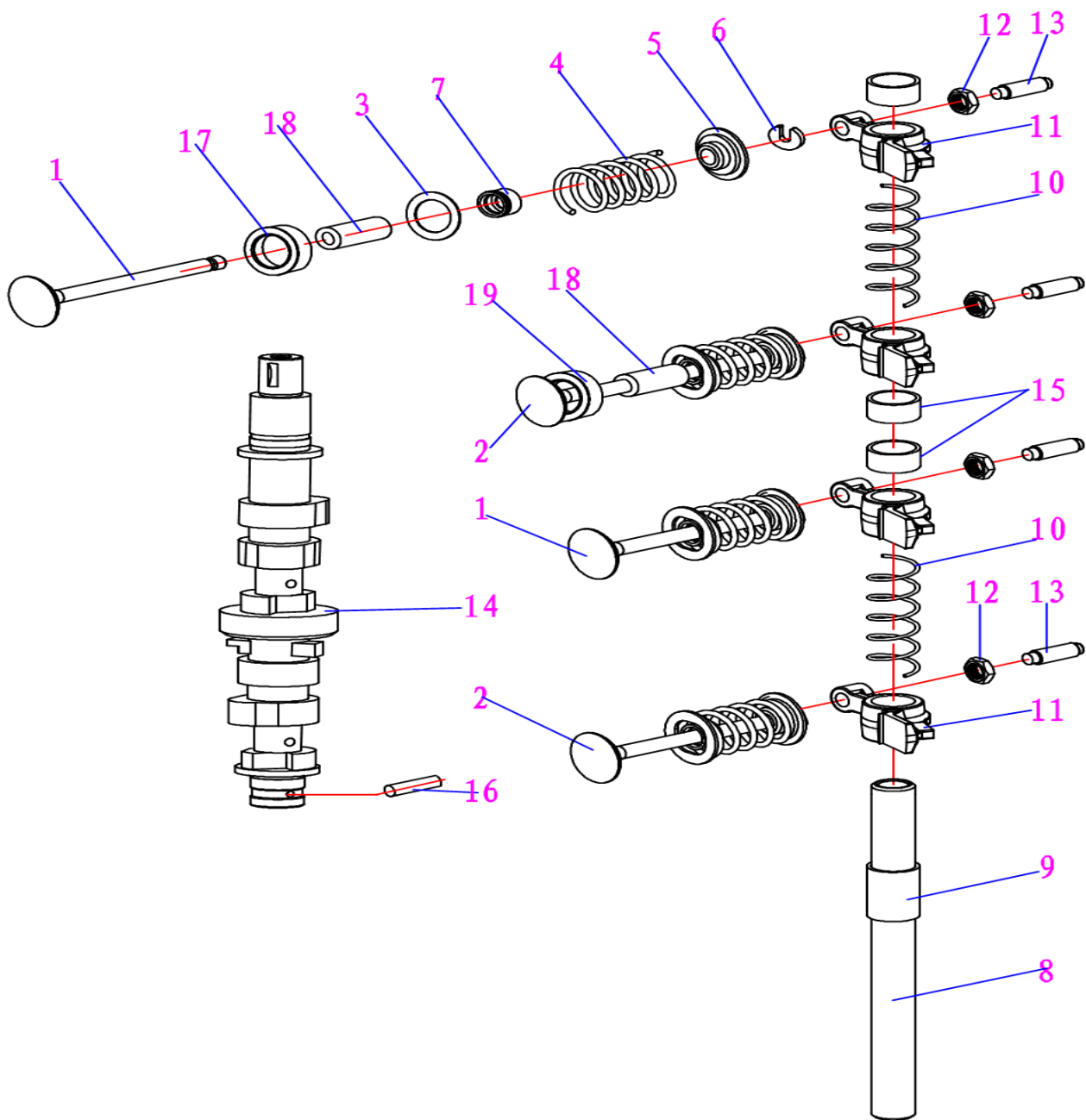
## 5. Редуктор

NO.	КОД MR	КОД OEM	НАИМЕНОВАНИЕ	ШТ	УПАКОВКА	YAMAHA
1	MR092401010524	F9.9-06.00.00.13	lower case	1	1	6AU-45311-00-4D
2	MR01020129BAG	15F-06.03.08	Cotter Pin 4*12(short shaft)	2	10	93604-12M07-00
3	MR0104038BAG	GB/T5783	Bolt	4	5	97575-08535-00
4	MR0104159BAG	GB/T848	Flat Pad 8	4	10	92995-06600-00
5	MR01060134BAG	15F-06.02.06	Seal Gasket,water hose	1	2	68T-44366-00-00
6	MR0104040BAG	GB/T5783	Bolt	4	10	97095-08045-00
7	MR01080134BAG	15F-06.02.07	Dead plate,water pump	2	2	63V-44328-01-00
8	MR01070159	15F-06.02.01	Water pump housing comp.	1	1	63V-44301-00-00
9	MR01060132	15F-06.02.02	O ring,water pump casing	1	1	93210-44398-00
10	MR01080133	15F-06.02.03	Insert, cartridge	1	1	63V-44322-00-00
11	MR01060535	F9.9-06.05.00.00	impeller assy	1	1	68T-44352-00-00
12	MR01100115BAG	15F-06.01.09	Woodruff key	1	2	664-44338-00-00
13	MR0104036BAG	GB/T5783	Hex Head Bolt M8*25	2	5	97080-08025-00
14	MR01060136BAG	15F-06.03.04	Sealing strip,bearing seat	1	2	63V-45375-00-00
15	MR01080519	F9.9-06.01.00.01	pressing plate,bearing seat	1	1	68T-44323-00-00
16	MR01020129BAG	15F-06.03.08	Cotter Pin 4*12(short shaft)	2	10	93604-12M07-00
17	MR01010523	F9.9-06.01.00.05	Bearing seat casing	1	1	68T-45331-00-CA
18	MR01060135BAG	15F-06.03.03	Shift lever o-ring	1	2	93210-06ME6-00
19	MR01050528	F9.9-06.01.00.03	Oil seal,drive shaft	2	1	93101-12M70-00
20	MR01050530	F9.9-06.01.00.04	Oil Bearing	1	1	6G1-45316-09-00
21	MR01050531	F9.9-06.01.00.06	Seal Gasket,bearing seat	1	1	68T-45315-A0-00
22	MR01020128BAG	15F-06.01.03	plug,straight screw	2	2	90340-08002-00



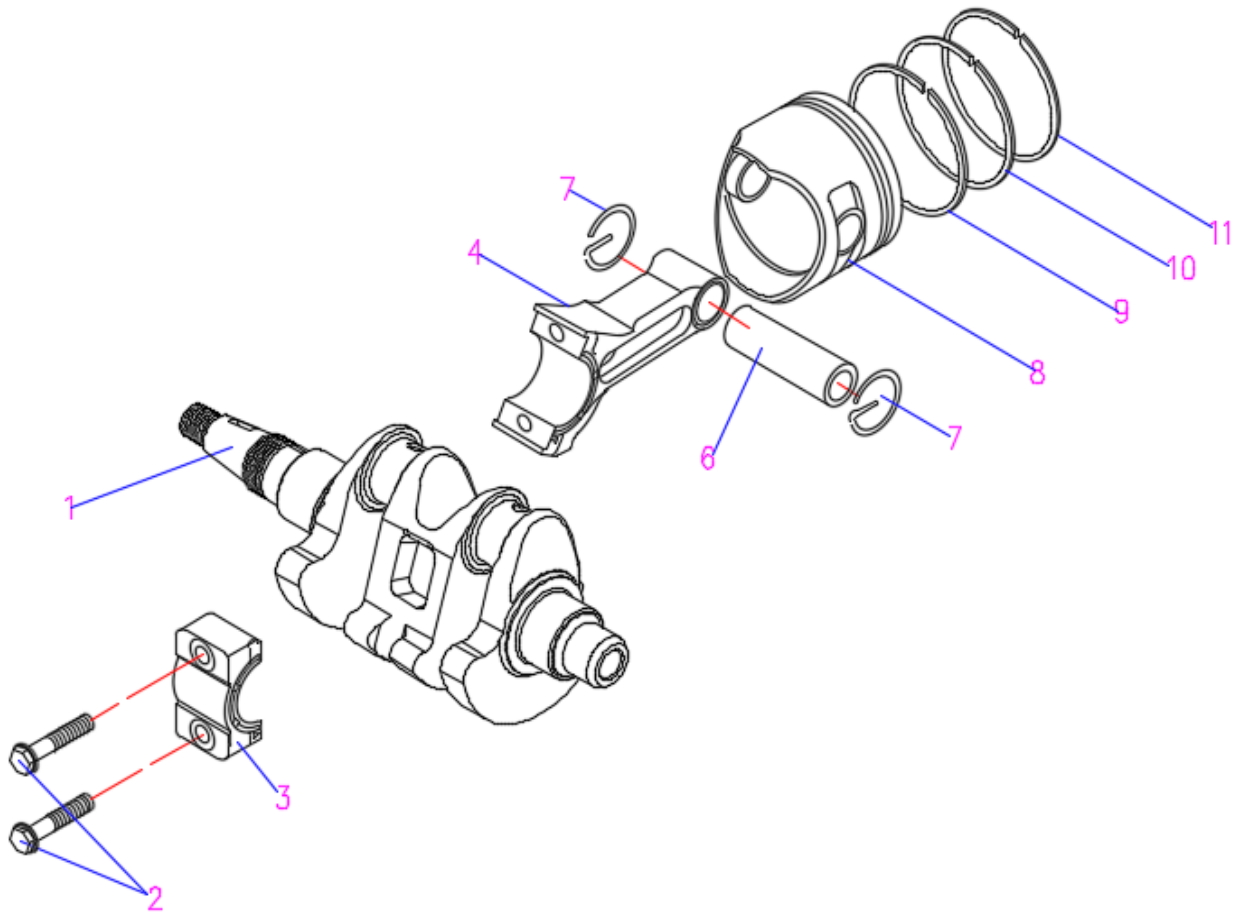
23	MR01080139BAG	15F-06.01.04	Gasket	2	10	90430-08143-00
24	MR0104189BAG	GB/T91	Cotter Pin 2.5*20	1	10	91490-30020-00
25	MR01020134	15F-06.14.06	Nut	1	1	90171-10M01-00
26	MR0104166BAG	GB/T96	Gasket	1	10	90201-10M01-00
27	MR0104056BAG	GB5787 M6*20(9.8)	Bolt	1	2	90109-06M86-00
28	MR01070157BAG	15F-06.01.06	cover,water inlet	1	2	6G1-45215-00-00
29	MR010105270	F9.9	Propeller + bell mouth	1	1	
	MR030305	F9.9-06.03.00.00	Propeller Assy.	1	1	6G1-45941-00-EL
30	MR01060538	F9.9-06.03.00.03	propeller shaft teeth	1	1	
31	MR01020514	F9.9-06.00.00.24	bushing	1	1	6G1-45987-02-00
32	MR01050541	F9.9-06.02.00.04	oil seal	2	1	93101-15074-00
33	MR0104009BAG	GB/T5783	Bolt	2	10	97095-06025-00
34	MR0104158BAG	GB/T848	Flat pad 6	2	10	90201-13201-00
35	MR092401010526	F9.9-06.02.00.07	cap,lower casing	1	1	6G1-45361-01-4D
36	MR01050540	F9.9-06.02.00.03	Oil bearing	1	1	6G1-45362-09-00
37	MR01060537BAG	F9.9-06.02.00.06	O ring (big)	1	2	93210-49046-00
38	MR01060536	F9.9-06.02.00.05	O-ring(50.5*3.1)	1	1	93210-53M08-00
39	MR01050534	F9.9-06.00.00.15	Bearing 6004C2	1	1	93306-004U0-00
40	MR01080518BAG	F9.9-06.02.00.02	Reverse gear shim	2	2	92995-06600-00
41	MR01050539	F9.9-06.02.00.01	Gear	1	1	68T-45571-00-00
42	MR01080517BAG	F9.9-06.00.00.23	washer	1	10	90201-13201-00
43	MR01050538	F9.9-06.00.00.22	propeller shaft	1	1	68T-45611-00-00
44	MR01090508BAG	F9.9-06.00.00.20	Circlip	1	2	654-45633-00-00
45	MR01050537	F9.9-06.00.00.21	dog clutch	1	1	68T-45631-00-00
46	MR01020506BAG	F9.9-06.00.00.19	Pin	1	2	6G1-45632-00-00
47	MR01090506BAG	F9.9-06.00.00.18	compression spring	1	2	90501-140A1-00
48	MR01020511BAG	F9.9-06.00.00.17	gear shif plug	1	2	6G1-45635-00-00
49	MR01050536	F9.9-06.00.00.16	forward gear	1	1	68T-45560-00-00
50	MR01050534	F9.9-06.00.00.15	Bearing 6004C2	1	1	93306-004U0-00
51	MR0104180CBAG	GB/T896 7	Circlip	1	10	90467-09M05-00
52	MR01050535	F9.9-06.00.00.11	driving bearing	1	1	68T-45551-00-00
53	MR01090316BAG	F4-06.11.02	Circlip	1	10	99001-07600-00
54	MR01080515BAG	F9.9-06.00.00.10	adjuster,driving bearing	1	5	6G1-45533-10-00
55	MR01050532	F9.9-06.00.00.07	Bearing	1	1	6G1-45317-09-00
56	MR01050533	F9.9-06.00.00.08-S	Driving Shaft(S)	1	1	6AU-45511-00-00
	MR010505330	F9.9-06.00.00.08-L	Driving Shaft(L)		1	
57	MR01070514	F9.9-06.00.00.06	Nylon Collar	1	1	90387-14M49-00
58	MR01090502	F9.9-06.04.00.00-S	Shift Cam Assy (S)	1	1	68T-44150-00-00
	MR010905020	F9.9-06.04.00.00-L	Shift Cam Assy (L)		1	
59	MR01020130BAG	15F-06.04.05	Column nut	1	2	61N-44146-00-00
60	MR0104149BAG	GB/T6172	Hexagon thin nut M6	1	10	95380-06700-00
61	MR0104155BAG	GB/T861.1	Washer,inner gear	1	10	92990-06300-00
62	MR01010525	F9.9-06.00.00.14	Anode	1	1	68T-45251-00-00
63	MR0104116BAG	GB/T820	Cross recessed countersunk head screw	1	10	90152-05M03-00
64	MR0104145BAG	DIN985	Hexagonal nut	1	10	90185-05002-00
65	MR01070156BAG	15F-06.01.05	Water inlet cover	1	2	6G1-45214-00-00
	MR030505	F9.9-06.00.00.00-I	lower Unit assembly(S)	1	1	
	MR030506	F9.9-06.00.00.00-II	lower Unit assembly(L)	1	1	





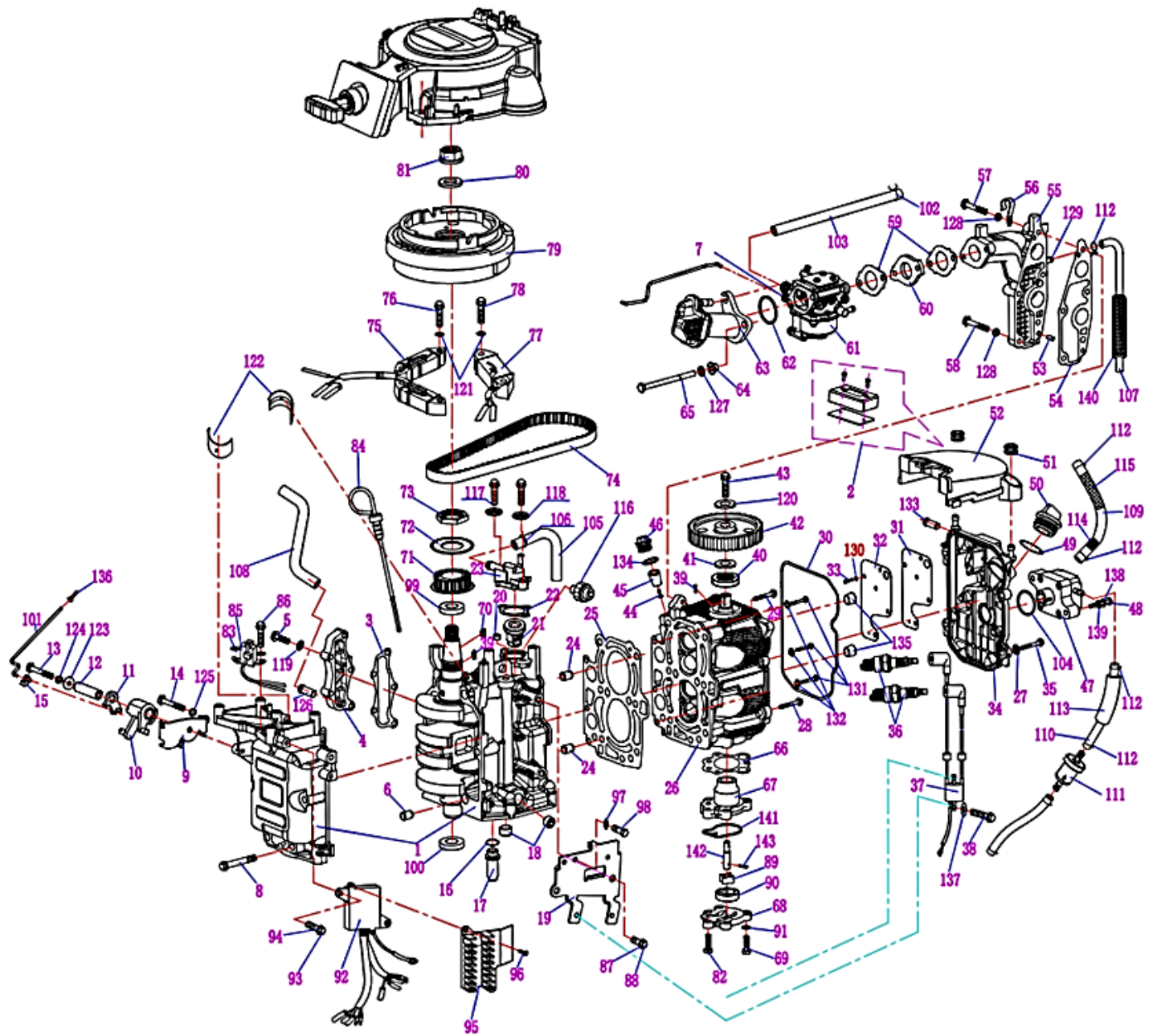
## 6. ГРМ

NO.	КОД MR	КОД OEM	НАИМЕНОВАНИЕ	ШТ	УПАКОВКА	YAMAHA
1	MR01050324	F4-01.06.33.05	Intake valve	2	1	6AU-12111-00-00
2	MR01050325	F4-01.06.33.06	Exhaust valve	2	1	6AU-12121-00-00
3	MR01080306BAG	F4-01.06.33.08	Spacer, Valve spring	4	10	68T-12116-00-00
4	MR01090509BAG	F9.9-01.03.00.20	Valve spring	4	2	60R-12113-00-00
5	MR01080308BAG	F4-01.06.33.11	air Valve spring base	4	2	7NJ-12117-00-00
6	MR01080307BAG	F4-01.06.33.10	valve clamp	4	5	7NJ-12118-00-00
7	MR01050326BAG	F4-01.06.33.09	air Valve oil seal	4	5	51Y-12119-00-00
8	MR01050544	F9.9-01.03.00.26	Rocker arm shaft	1	1	68T-12146-00-00
9	MR01020206BAG	F15-01.03.00.11	Sleeve, Rocker arm shaft B	1	2	90387-13M56-00
10	MR01090204BAG	F15-01.03.00.13	Spring, Rocker arm shaft	2	2	90501-12M40-00
11	MR01050504	F9.9-01.03.00.27	Rock arm comp.	4	1	68T-12151-00-00
12		F9.9-01.03.00.30	screw M6*0.5	4		
13		F9.9-01.03.00.31	valve adjust screw	4		
14	MR01050519	F9.9-01.03.00.24	Camshaft	1	1	68T-12171-00-00
15	MR01020501BAG	F9.9-01.03.00.32	Sleeve, Rocker arm shaft B	3	2	90387-14M03-00
16		F9.9-01.03.00.25	pin shaft	1		
17		F4-01.06.33.02	gasket, inlet valve	2		
18		F4-01.06.33.04	valve pipe	4		
19		F4-01.06.33.03	gasket, inlet valve	2		



## 7. Коленвал

NO.	КОД MR	КОД OEM	НАИМЕНОВАНИЕ	ШТ	УПАКОВКА	YAMAHA
1	MR01050506	F9.9-01.02.00.01	crankshaft	1	1	6AU-11411-00-00
2		F9.9-01.02.01.03	bolt	4		
3		F9.9-01.02.01.02	cover, connect rod	2		
4		F9.9-01.02.01.01	connecting rod	2		
5	MR01050514	F9.9-01.02.01.00	connecting rod assy	2	1	6AU-11650-00-00
6	MR01050543BAG	F9.9-01.02.00.03	pin	2	2	68T-11633-00-00
7	MR01050216BAG	F15-01.02.02.02	Circlip	4	10	93450-15023-00
8	MR01050515	F9.9-01.02.00.02	piston	2	1	6AU-11631-00-96
9	MR01050509	F9.9-01.02.00.07	oil ring	2	Sell by pair	68T-11603-01-00
10	MR01050508	F9.9-01.02.00.06	2nd ring	2		
11	MR01050507	F9.9-01.02.00.05	1st ring	2		

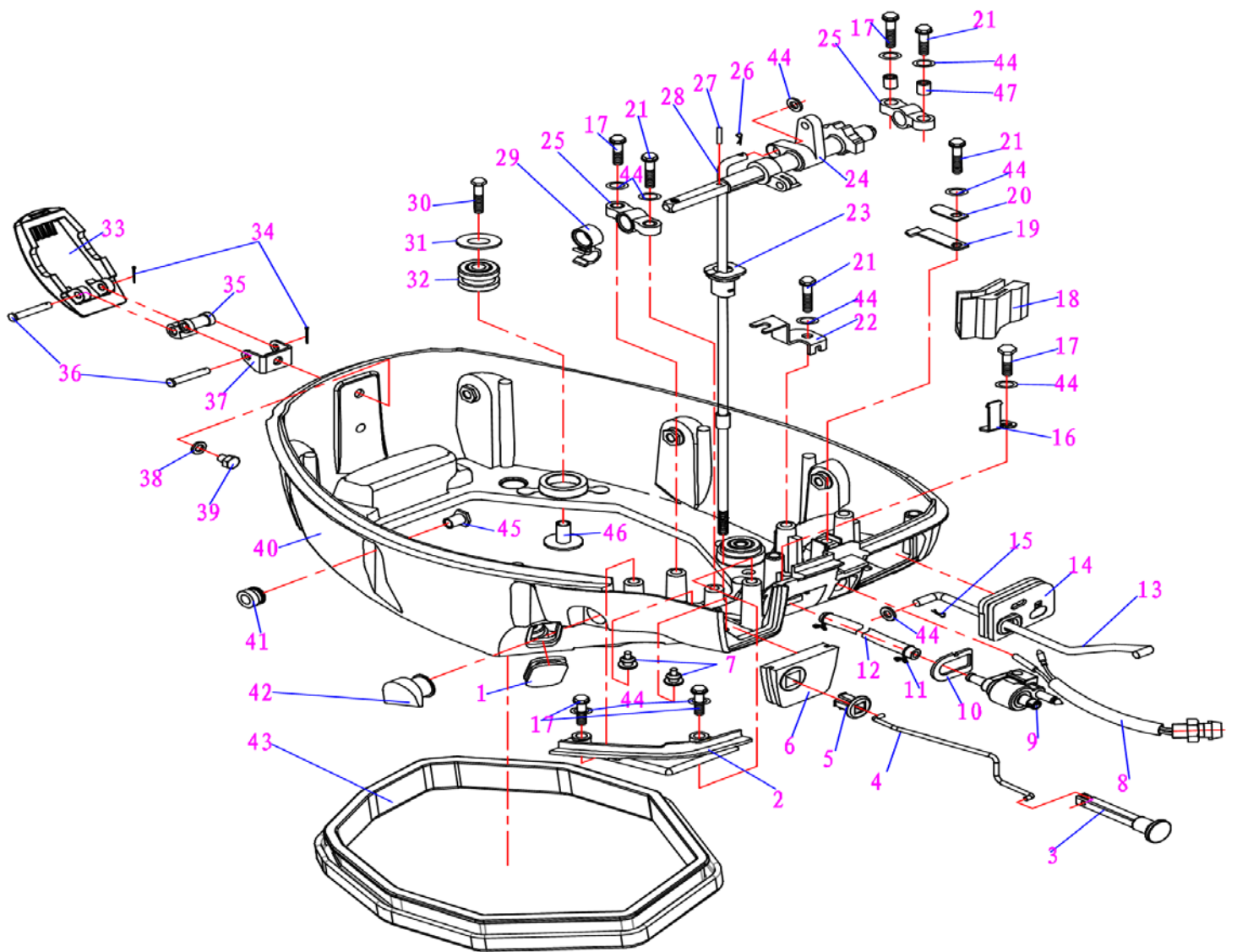


### 8. Блок двигателя

NO.	КОД MR	КОД OEM	НАИМЕНОВАНИЕ	ШТ	УПАКОВКА	YAMAHA
1	MR01010505	F9.9-01.01.00.08	crankcase comp	1	1	6AU-W009B-00-1S
2	MR01031950	60F-01.02.00.13	timer Comp.	1	1	6AU-11411-00-00
3	MR01050511BAG	F9.9-01.01.00.05	side cover gasket	1	2	6AU-41113-00-1S
4	MR01010504	F9.9-01.01.00.04	side cover,exhaust	1	1	
5	MR0104374BAG	GB/T5783	Bolt	5	10	
6	MR01020502BAG	F9.9-01.01.00.11	dowel pin	4	2	99510-10114-00
7	MR01070116	15F-01.02.07	chock lever joint A1	1	1	661-41262-02-00
8	MR0104066BAG	GB5787 M8*65(10.9)(S10)	bolt M8*65	6	5	90119-06049-00
9	MR01080505	F9.9-01.01.00.14	seat,throttle cable cam	1	1	68T-14497-00-00
10	MR01070501	F9.9-01.01.00.15	End wheel,Throttle cable	1	1	68T-41638-00-00
11	MR01070502BAG	F9.9-01.01.00.16	connecting block, throttle	1	2	68T-41283-00-00
12	MR01020507	F9.9-01.01.00.18	Bushing	1	1	90387-06M59-00
13	MR0104017BAG	GB/T5783	Hexagonal bolt M6*45	1	10	
14	MR0104008BAG	GB/T5783	Hex Head Bolt M6*12	1	10	97575-06525-00
15	MR01070116	15F-01.02.07	chock lever joint A1	1	1	661-41262-02-00
16	MR01060208BAG	F15-01.01.00.15	O-ring	1	5	93210-12M62-00
17	MR01050203	F15-01.01.00.00	Flood valve comp.	1	1	6G8-11575-00-00
18	MR0104203	F9.9-01.01.00.07	Plug	2	1	
19	MR092401080506	F9.9-01.06.00.08	Electrical appliance bracket	1	1	
20	MR0104201	F15-01.01.00.07	Plug	1	1	
21	MR010501040	F15-01.06.14-60°	Thermostat 60°	11	1	66M-12411-01-00
22	MR01050510BAG	F9.9-01.01.00.01	Seal gasket	1	2	6G8-12414-A0-00
23	MR01010503	F9.9-01.01.00.02	Thermostat cap	1	1	68T-12413-00-1S
24	MR01020202BAG	F15-01.01.00.18	Dowel pin	2	5	
25	MR01050518	F9.9-01.03.02.00	Cylinder gasket comp.	1	1	68T-11181-00-00
26	MR01010511	F9.9-01.03.00.16	Cylinder head comp.	1	1	6AU-11111-00-1S
27	MR0104158BAG	GB/T848	Flat pad 6	4	10	90201-43M00-00
28	MR0104065BAG	GB5787 M8*60(10.9)(S10)	Flange bolt	2	5	90105-08M78-00
29	MR0104068BAG	GB5787 M8*75(10.9)(S10)	Flat gasket	4	5	68T-12171-00-00
30	MR01060510	F9.9-01.03.00.11	Seal Gasket,Air flue cover plate	1	1	68T-11356-00-00
31	MR01050517BAG	F9.9-01.03.00.13	Seal plate,Air flue	1	2	68T-11169-A0-00

32	MR01080503BAG	F9.9-01.03.00.12	Plate,Air flue	1	2	68T-11168-00-00
33	MR0104226BAG	GB/T818	Pan head bolt with cross recess M4*10	5	10	98507-04010-00
34	MR01010509	F9.9-01.03.00.10	Cover,Cylinder head	1	1	68T-11191-00-1S
35	MR0104012BAG	GB/T5783	Hex Bolt M6*20	4	10	97095-06012-00
36	MR01030306	BR6HS	Spark Plug	2	1	94702-00274-00
37	MR01030503	F9.9-01.06.00.06	Ignition coil	1	1	680-85570-02-00
38	MR0104009BAG	GB/T5783	Bolt	2	10	97095-06025-00
39	MR01100204BAG	GB/T1099	Woodruff keyoil seal	2	2	90280-03M01-00
40	MR01050230	F15-01.03.00.16	oil seal	1	1	93102-18M21-00
41	MR010416101BAG	GB/T95	flat gasket	1	2	90201-13201-00
42	MR01010214	F15-01.03.00.24	Driven pulley	1	1	66M-11537-00-94
43	MR0104055BAG	GB5787 M6*16(9.8)	Hex Flange Bolt M6*16	1	2	90105-06M14-00
44	MR0104081BAG	GB/T818	Cross recessed Pan head screws M5*25	1	10	97575-06525-00
45	MR01010510BAG	F9.9-01.03.00.34	Anode	1	2	6G8-11325-00-00
46	MR01020516	F9.9-01.03.00.35	bolt	1	1	
47	MR01050501B	F9.9-01.04.01.00	Fuel pump Assy	1	1	68T-24410-01-00
48	MR01040140	GB5783 M6*30(A2-70)	bolt	2	1	
49	MR01060308BAG	F4-01.06.27	O ring	1	2	93210-24M79-00
50	MR01070208BAG	F15-01.03.00.39	Oil filling plug	1	2	6G8-15363-00-00
51	MR01060509BAG	F9.9-01.03.00.08	Damper	2	2	90480-10627-00
52	MR01070503	F9.9-01.03.00.07	Driven pulley cover	1	1	6AU-46297-00-00
53	MR01020512BAG	F9.9-01.03.00.05	Dowel pin	2	5	91690-50014-00
54	MR01050516	F9.9-01.03.00.06	Air intake manifold Seal gasket	1	1	68T-13645-00-00
55	MR01010508	F9.9-01.03.00.04	Air intake manifold	1	1	68T-13641-20-1S
56	MR01080210BAG	F15-01.03.00.42	fix clip,air breather tube	1	5	90465-08M99-00
57	MR01040150BAG	GB/T5783	Bolt	3	10	
58	MR0104374BAG	GB/T5783	bolt	2	10	
59	MR01050542BAG	F9.9-01.04.00.02	Carburetor washer	2	2	68T-13646-A0-00
60	MR01070505	F9.9-01.04.00.03	Plate	1	1	68T-14271-00-00
61	MR2052301012	F9.9-01.04.00.18	Carburetor assembly (TK)		1	
62	MR01060508BAG	F9.9-01.03.00.03	O-ring	1	5	93210-31MJ5-00
63	MR01070504	F9.9-01.03.01.00	Air cleaner	1	1	6AU-14440-00-00
64	MR01020508BAG	F9.9-01.03.00.02	Cushion tube	2	2	90387-06M70-00
65	MR0104023BAG	GB9074.1 M6*85(A2-70)	Hexagonal bolt M6*85	2	10	
66	MR01050524BAG	F9.9-01.05.01.07	Gasket(oil pump)	1	2	68T-13329-00-00
67	MR01010513	F9.9-01.05.01.06	Oil pump housing	1	1	68T-13300-00-00
68	MR01010512	F9.9-01.05.01.05	Oil pump cap	1	1	
69	MR01040140	GB/T5783	bolt	3	1	
70	MR01100302BAG	F4-01.06.19	Woodruff key	1	2	90280-04M06-00
71	MR01050546	F9.9-01.02.00.10	Drive pulley	1	1	68T-11536-00-00
72	MR01080520	F9.9-01.02.00.08	Stop collar,drive pully	1	1	68T-11557-00-00
73	MR01020519	F9.9-01.02.00.09	nut,drive pully	1	1	90170-24M09-00
74	MR01100508	F9.9-01.03.00.09	belt	1	1	68T-46241-00-00
75	MR01030505	F9.9-01.06.00.12	Lighting coil	1	1	68T-85533-10-00
76	MR01040140	GB/T5783	bolt	4	1	
77	MR01030502	F9.9-01.06.00.13	Charging coil	1	1	68T-85520-00-00
78	MR0104374BAG	GB/T5783	bolt	2	10	
79	MR01030501	F9.9-01.06.00.01	Flying wheel	1	1	
80	MR01080107BAG	15F-01.03.20	Flying wheel flat gasket	1	2	90201-12472-00
81	MR01080106	15F-01.03.19	Flying wheel nut	1	1	90170-12066-00
82	MR0104105BAG	GB823 M6*20	Cross recessed Pan head screws M6*20	2	10	
83	MR0104157BAG	GB/T848	flate gasket	3	10	
84	MR01100548	F9.9-01.05.05.00	Oil dip stick	1	1	68T-15362-00-00
85	MR01030507	F9.9-01.06.00.10	Impulsor	1	1	68T-85580-01-00
86	MR0104002BAG	GB/T5783	Bolt M5*10	2	10	
87	MR0104158BAG	GB/T848	Flat pad 6	2	10	90201-43M00-00
88	MR0104032BAG	GB/T5783	Hex head bolt M8*12	2	10	
89	MR01050522	F9.9-01.05.01.02	inner rotor	1	1	
90	MR01050523	F9.9-01.05.01.03	outer rotor	1	1	
91	MR0104082BAG	GB/T818	Screw M6*8	3	10	
92	MR01030504	F9.9-01.06.00.03	CDI	1	1	68T-85540-00-00
93	MR0104012BAG	GB/T5783	Hex Bolt M6*20	2	10	97095-06012-00
94	MR0104158BAG	GB/T848	Flat pad 6	2	10	90201-43M00-00
95	MR01070506BAG	F9.9-01.06.00.04	Patching jack	1	2	68T-82522-00-00
96	MR0104090BAG	GB/T845	Cross recessed pan head tapping screws	2	10	
97	MR0104171BAG	GB/T97.1	Flat gasket	1	10	
98	MR0104008BAG	GB/T5783	Hex Head Bolt M6*12	1	10	97575-06525-00
99	MR01050512	F9.9-01.01.00.12	Oil seal	1	1	93102-30M22-00
100	MR01050513	F9.9-01.01.00.13	Oil seal	1	1	93101-25M69-00
101	MR010905050BAG	F9.9-01.04.00.04	Carburetor connecting rod	1	2	6AU-41211-00-00
102	MR01090139BAG		Clamp φ10	1	10	
103	MR01060507BAG	F9.9-01.03.00.01	Breather pipe	1	2	68T-12483-00-00
104	MR01060219BAG	F15-01.04.01.10	O-ring	1	2	93210-20M65-00
105	MR01060503BAG	F9.9-01.01.00.03	Hose	1	2	
106			Nylon ribbon	1		
107	MR01060528BAG	F9.9-02.00.00.10	Hose	1	2	
108	MR01060504BAG	F9.9-01.01.00.20	Hose	1	5	68T-12482-00-00
109	MR01060513BAG	F9.9-01.04.00.07	Fuel hose	1	5	
110	MR01060514BAG	F9.9-01.04.00.10	Fuel hose	1	2	
111	MR01070518	F9.9-01.04.03.00	Fuel filter assy	1	1	68T-24251-01-00
112	MR01090138BAG		Tube Clip	5	10	
113	MR01060515BAG	F9.9-01.04.00.11	rubber hose	1	5	
114	MR01100503BAG	F9.9-01.04.00.08	wave hose	1	2	
115	MR011005030BAG	F9.9-02.00.00.16	wave hose	1	2	
116	MR01050545	F9.9-01.06.00.15	oil alarm	1	1	
117	MR0104012BAG	GB/T5783	Hex Bolt M6*20	2	10	97095-06012-00
118	MR0104158BAG	GB/T848	Flat pad 6	2	10	90201-43M00-00
119	MR0104158BAG	GB/T848	Flat pad 6	5	10	90201-43M00-00
120	MR0104175BAG	GB/T5287	Flat gasket 6	1	10	
121	MR0104158BAG	GB/T848	Flat pad 6	6	10	90201-43M00-00
122	MR01050503	F9.9-01.01.00.10	Main bearing	4	1	
123	MR01080509BAG	F9.9-01.01.00.17	Flat gasket	1	5	
124	MR0104158BAG	GB/T848	Flat pad 6	1	10	90201-43M00-00
125	MR0104158BAG	GB/T848	Flat pad 6	1	10	90201-43M00-00
126	MR01020219BAG	F15-01.01.02.02	Oil inlet	1	2	
127	MR0104158BAG	GB/T848	Flat pad 6	2	10	90201-43M00-00
128	MR0104158BAG	GB/T848	Flat pad 6	5	10	90201-43M00-00
129	MR01020304BAG	F4-01.06.03	Joint,Breather pipe	1	2	
130	MR0104156BAG	GB/T848	Flat Pad 4	5	10	
131	MR0104021BAG	GB/T5783	Bolt	3	10	
132	MR0104158BAG	GB/T848	Flat pad 6	3	10	90201-43M00-00

133	MR01020304BAG	F4-01.06.03	Joint,Breather pipe	1	2	
134	MR01060511BAG	F9.9-01.03.00.33	O ring	1	2	
135	MR0104202	F15-01.01.00.08	Plug	2	1	
136	MR01060512BAG	F9.9-01.04.00.05	linkage cover	1	2	
137	MR0104158BAG	GB/T848	Flat pad 6	2	10	90201-43M00-00
138	MR0104154BAG	GB/T93	Spring Washer	2	10	
139	MR0104171BAG	GB/T97.1	Flat gasket	2	10	
140	MR01100503BAG	F9.9-01.04.00.08	wave hose	1	2	
141	MR01060220BAG	F15-01.05.02.04	sealing	1	2	
142	MR01050521	F9.9-01.05.01.01	shaft,rotor	1	1	
143	MR01050246BAG	GB/T309	Roller needle	1	10	

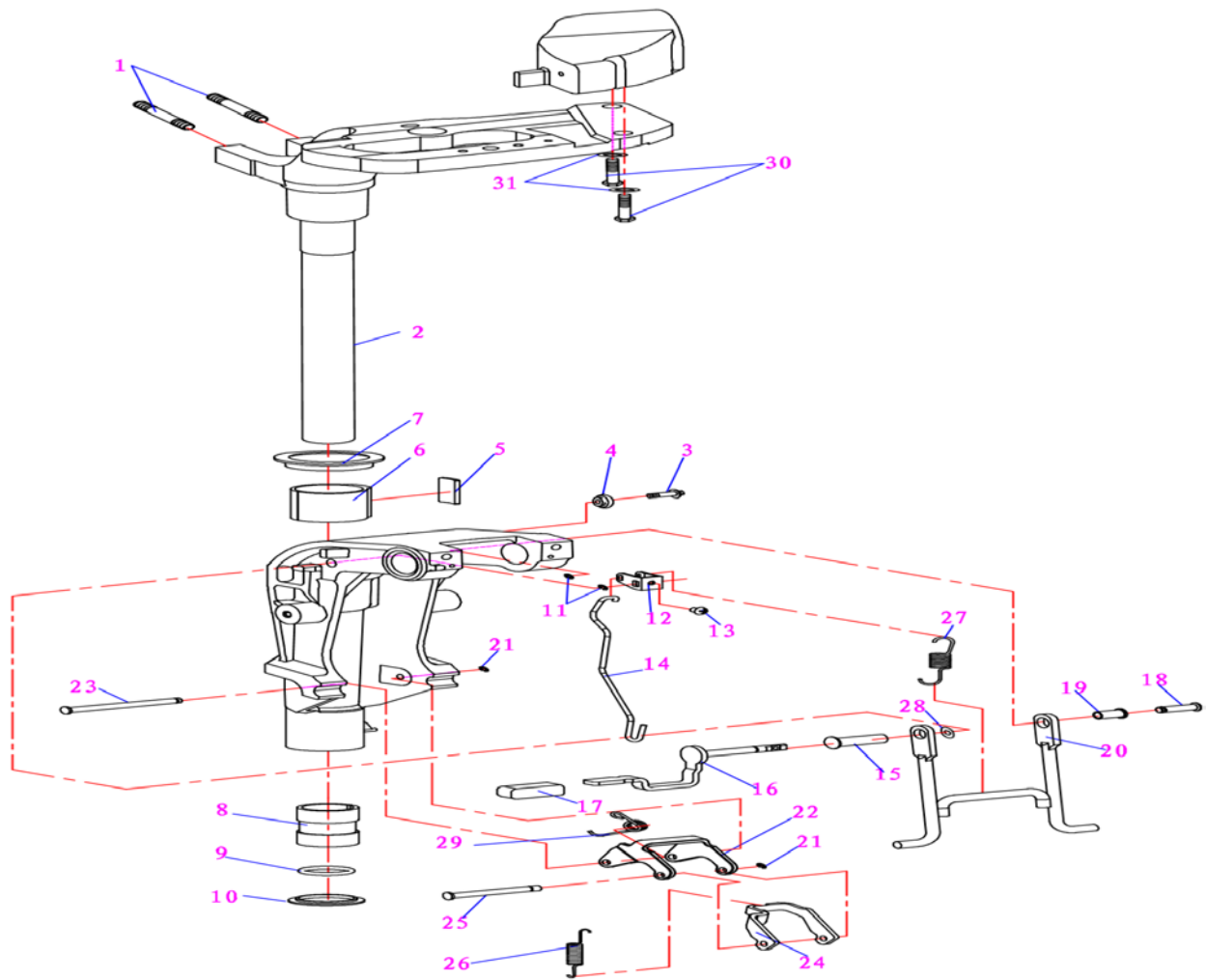


## 9. Поддон

NO.	КОД МР	КОД ОЕМ	НАИМЕНОВАНИЕ	ШТ	УПАКОВКА	YAMAHA
1	MR01060526BAG	F9.9-02.00.00.15	rubber Plug	1	2	
2	MR092401010514	F9.9-02.00.00.01	cover plate, chock	1	1	
3	MR01070134BAG	15F-02.02	Pull rod,choke	1	2	6H4-41271-02-00
4	MR01090505BAG	F9.9-01.04.00.06	pull rod connection, choke	1	2	
5	MR01070135BAG	15F-02.03	Protecting bush,choke	1	2	689-41273-00-00
6	MR01060523BAG	F9.9-02.00.00.02	seat,choke	1	2	68T-42725-00-00
7	MR01060116BAG	15F-02.09	External pipe rubber bulkhead	2	2	
8	MR01030201	F15-01.06.01.00	light,oil alarm	1	1	68T-85410-00-00
9	MR01100106	15F-01.07.01.00	Fuel hose joint assy	1	1	6YL-24304-00-00
10	MR01060517BAG	F9.9-01.04.00.13	fuel hose joint Washer	1	2	
11	MR01090139BAG		Clamp $\phi$ 10	2	10	
12	MR01060516BAG	F9.9-01.04.00.12	oil pipe	1	5	
13	MR01090503	F9.9-02.00.00.14	shift lever	1	1	
14	MR01060527BAG	F9.9-02.00.00.09	Rubber sleeve,throttle cable	1	2	68T-42724-20-00
15	MR01090107BAG	15F-01.03.11	Spring	1	10	
16	MR01080510BAG	F9.9-01.04.00.15	cable fixer	1	2	68T-26393-00-00
17	MR0104374BAG	GB/T5783	bolt	5	10	
18	MR01060518BAG	F9.9-01.04.00.14	cable fixer block	1	2	68T-26367-00-00
19	MR010802150BAG	F15-02.00.00.05	shift limit plate	1	2	65W-44116-00-00
20	MR01080216BAG	F15-02.00.00.06	plate	1	2	66R-44114-00-00
21	MR0104012BAG	GB/T5783	Hex Bolt M6*20	4	10	90109-06M86-00
22	MR01080512BAG	F9.9-02.00.00.03	cable holder	1	5	68T-15774-10-00
23	MR01060117BAG	15F-02.10	protecting bush,gear shifting linkage	1	2	682-42727-00-00
24	MR01070509	F9.9-02.01.00.01	seat,shift lever fixer	1	1	68T-44121-02-00
25	MR01070511BAG	F9.9-02.01.00.04	bracket	2	2	6G1-41662-01-94
26	MR01090115BAG	15F-01.05.14	circlip	1	10	90468-18001-00
27	MR0104195BAG	GB879 3*14	Cylindrical pin	4	5	91690-30014-00
28	MR01090501	F9.9-02.00.00.13	shift lever(upper)	1	1	68T-44143-00-00

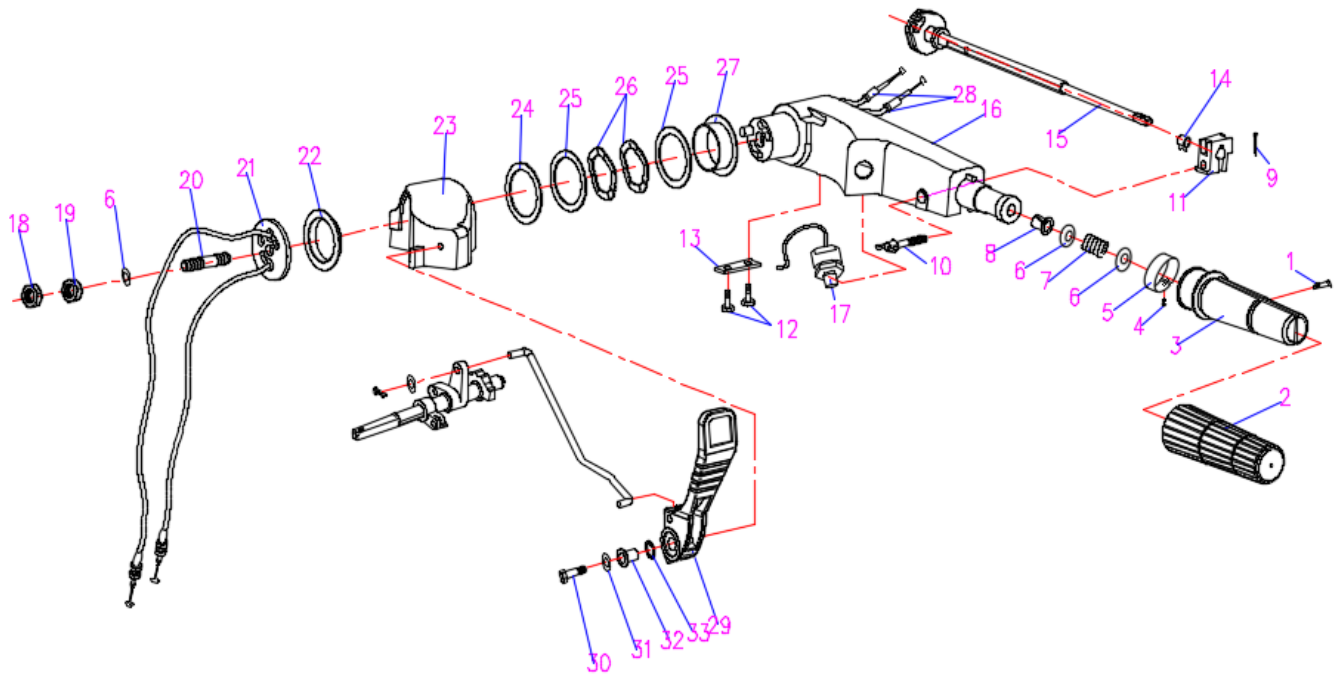
29	MR01070510BAG	F9.9-02.01.00.03	holder,hose	1	2	90464-10M60-00
30	MR01040150BAG	GB/T5783	Bolt	4	10	
31	MR0104175BAG	GB/T5287	Flat gasket 6	4	10	
32	MR01060524BAG	F9.9-02.00.00.05	Cushion blocking of bottom seat	4	2	90480-21M82-00
33	MR092401070533	F9.9-02.00.00.17	lock handle	1	1	
34	MR0104243BAG	GB/T91	Cotter pin 1.2*12	2	10	
35	MR01070702BAG	F6-02.00.00.06	lock handle connector	1	2	
36	MR01020706	F6-02.00.00.05	Lock handle rotation shaft	2	1	
37	MR01080708	F6-02.03.00.00	Lock handle bracket Assy.	1	1	
38	MR0104171BAG	GB/T97.1	Flat gasket	1	10	
39	MR0104008BAG	GB/T5783	Hex Head Bolt M6*12	1	10	
40	MR092401010515	F9.9-02.00.00.04	bottom base	1	1	
41	MR01060231BAG	F15-02.00.00.32	Damper	4	2	
42	MR01060525BAG	F9.9-02.00.00.08	rubber plug	1	5	
43	MR01060501BAG	F9.9-02.00.00.11	sealing,bottom	1	2	
44	MR0104158BAG	GB/T848	Flat pad 6	11	10	97575-06525-00
45	MR01020201BAG	F15-00.00.00.15	gasket,bottom damper	4	2	
46	MR01020515BAG	F9.9-02.00.00.06	Shoulder pad	4	2	
47	MR01020213BAG	F15-02.00.00.08	busher,bracket	4	2	





## 10. Поворотный кронштейн

NO.	КОД MR	КОД OEM	НАИМЕНОВАНИЕ	ШТ	УПАКОВКА	YAMAHA
1	MR01020520	F9.9-04.01.00.04	Bolt	2	1	90116-08M54-00
2	MR092401010516	F9.9-04.01.00.00	steering bracket	1	1	
3	MR0104406BAG	GB9074.1	Flat gasket&Bolt	1	10	
4	MR01060122BAG	15F-03.09.09	Gasket	1	2	
5	MR01080120BAG	15F-03.09.04	Friction plate,Locking	1	5	
6	MR01070142BAG	15F-03.09.03	Lock washer	1	2	90386-40001-00
7	MR01080121	15F-03.09.05	ring gasket	1	1	90209-40008-00
8	MR01070143BAG	15F-03.09.06	bushing (bottom)	1	2	90386-30048-00
9	MR01060121BAG	15F-03.09.07	O ring	1	2	93210-29M94-00
10	MR01070144BAG	15F-03.09.08	Lower bushing	1	2	90386-30M60-00
11	MR0104178BAG	GB/T896	Circlip	2	10	99080-05600-00
12	MR01080122BAG	15F-03.09.10	Angle fixer	1	2	6AH-43641-00-00
13	MR0104075BAG	GB/T818	Pan head screw with cross recess	1	10	
14	MR01090121BAG	15F-03.09.11	angle loction rod	1	2	
15	MR01020119BAG	15F-03.09.14	Sleeve	1	2	
16	MR01080144	15F-03.09.12.00	Lever comp.,Steering	1	1	
17	MR01060123BAG	15F-03.09.12.01	rubber Sleeve	1	2	
18	MR01020121	15F-03.09.19	Pin	1	1	
19	MR01070146BAG	15F-03.09.17	Nylon bush,support frame	1	2	
20	MR01080127	15F-03.09.15	Tilt angle fixer	2	1	
21	MR0104177BAG	GB/T896	Circlip	2	10	99080-05600-00
22	MR01080126	15F-03.09.21	Tilt angle outer bracket	1	1	93430-04M03-00
23	MR01020120BAG	15F-03.09.16	Pin,support frame	1	2	6AH-43615-00-00
24	MR01080125	15F-03.09.20	Tilt angle inner bracket	1	1	
25	MR01020122BAG	15F-03.09.22	Shaft,Tilt Lock	1	2	6AH-43614-00-00
26	MR01090122BAG	15F-03.09.18	pull Spring	1	5	68T-43611-00-00
27	MR01090120BAG	15F-03.09.24	Spring	1	2	
28	MR01070145BAG	15F-03.09.13	washer	1	10	
29	MR01090123BAG	15F-03.09.23	Spring	1	2	
30	MR0104051BAG	GB5783 M10*35(A2-70)	bolt	2	5	
31	MR0104160BAG	GB848 M10	Flat Pad 10	2	10	



## 11. Румпель

NO.	КОД МР	КОД ОЕМ	НАИМЕНОВАНИЕ	ШТ	УПАКОВКА	YAMAHA
1	MR0104117BAG	GB/T820	Screw M5*25	1	10	
2	MR01060124	15F-04.07.14	Handle Rubber sleeve	1	1	67D-42177-00-00
3	MR01070154	15F-04.07.13	Handle	1	1	67D-42119-01-00
4	MR010408809BAG	GB/T845	Screw	1	10	
5	MR01100366BAG	F4-04.11- II	Indicator,throttle	1	2	
6	MR0104160BAG	GB/T848	Flat Pad 10	3	10	
7	MR01090124BAG	15F-04.07.11	Spring	1	2	90501-23215-00
8	MR01070153BAG	15F-04.07.12	Bushing	1	2	90386-08032-00
9	MR01041850BAG	GB/T91	Cotter pin 1.6*12	1	10	91490-16010-00
10	MR01020216	F15-04.02.00.08	Friction adjusting screw	1	1	
11	MR01070152BAG	15F-04.07.08	locking segment	1	5	6G1-42126-00-00
12	MR0104406BAG	GB9074.1	Flat gasket&Bolt	2	10	
13	MR01080223BAG	F15-04.02.00.07	Plate	1	2	65W-42159-00-00
14	MR01070520BAG	F9.9-04.00.00.02	plastic bushing	1	2	
15	MR01070151	15F-04.07.05	Throttle Lever	1	1	
16	MR092501010223	F15-04.02.00.01	Steering handle	1	1	
17	MR01100112	15F-04.07.03	emergency stop switches assy	1	1	
18	MR0104230BAG	DIN985	hexagonal lock nut M10*1.25	1	2	
19	MR0104140BAG	GB6170 M10*1.25	Hexagonal nut M10*1.25	1	2	
20	MR01020215	F15-04.02.00.02	Double-screw bolt	1	1	
21	MR01080220	F15-04.00.00.02	Plate	1	1	65W-42131-01-00
22	MR01070222BAG	F15-04.00.00.04	Nylon sleeve(short)	1	2	90386-40M99-00
23	MR01010534	F9.9- II -04.01.00.03	Mounting bracket	1	1	
24	MR01070221BAG	F15-04.00.00.03	Nylon washers	1	2	90202-43M57-00
25	MR01080222BAG	F15-04.00.00.07	Gasket	2	2	90201-43M00-00
26	MR01080221BAG	F15-04.00.00.05	Waterform gasket ring	2	5	90206-43M22-00
27	MR01070223BAG	F15-04.00.00.06	Nylon sleeve(long)	1	2	66R-42171-00-00
28	MR01100506	F9.9-04.00.00.01	Throttle cable	2	1	68T-26301-11-00
29	MR01070528	F15-02.00.00.34	Shift handle	1	1	
30	MR0104015BAG	GB/T5783	Hex Head Bolt M6*35	1	10	
31	MR0104158BAG	GB/T848	Flat pad 6	1	10	92995-06600-00
32	MR01020127	15F-04.08.03	Washer	1	1	
33	MR01080132BAG	15F-04.08.04	Washer	1	2	
	MR030805	F9.9-04.00.00.00	Tiller Assy.	1	1	

## 12. Аксессуары

НО.	КОД MR	КОД OEM	НАИМЕНОВАНИЕ	ШТ	УПАКОВКА	YAMAHA
1	MR01020128BAG	15F-06.01.03	thread plug, straight screw	1	2	90340-08002
2	MR0104189BAG	GB91 2.5*20	cotter pin	1	10	
3	MR01060535	F9.9-06.05.00.00	impeller Assy.	1	1	68T-44352-00-00
4	MR01070168BAG	15F-09.01	emergency starting handle	1	2	
5	MR01070229	F15-08.00.00.00	fuel case Assy.	1	1	
6	MR01080139BAG	15F-06.01.04	thread plug seal gasket	2	10	90430-08020
7	MR01100103	15F-01.01.22	starter rope	1	1	
8	MR01100119	15F-08.01.06.00	Fuel Hose With Connector	1	1	
9	MR01100515	F9.9	toolkit	1	1	
10	MR01100516	F9.9	sleeve	1	1	